

YETI TOWER & DRAIN PAN SIZES & SPECIFICATIONS

PROJECT _____

ITEM # _____

- YETI DISPENSING TOWERS ARE AVAILABLE IN 3 OR 4 FAUCETS
- USED FOR BEER OR LIQUOR
- FROZEN, NON-FROZEN S/S OR POWDER COATED FINISHES
- MAY BE INCORPORATED WITH SAV DOME SYSTEM FOR A COMPLETE LIQUOR & BEER DISPENSING STATION
- MAY BE INCORPORATED WITH OUR CUSTOM FROST RAILS ~ *USE ANY THT SERIES DRAIN PAN*
- TOWERS ARE FLOODED WITH USP FOOD & PHARMACEUTICAL SAFE PROPYLENE GLYCOL
- 100% STAINLESS STEEL ~ NO LEAKING, NO PITTING
- MADE IN USA

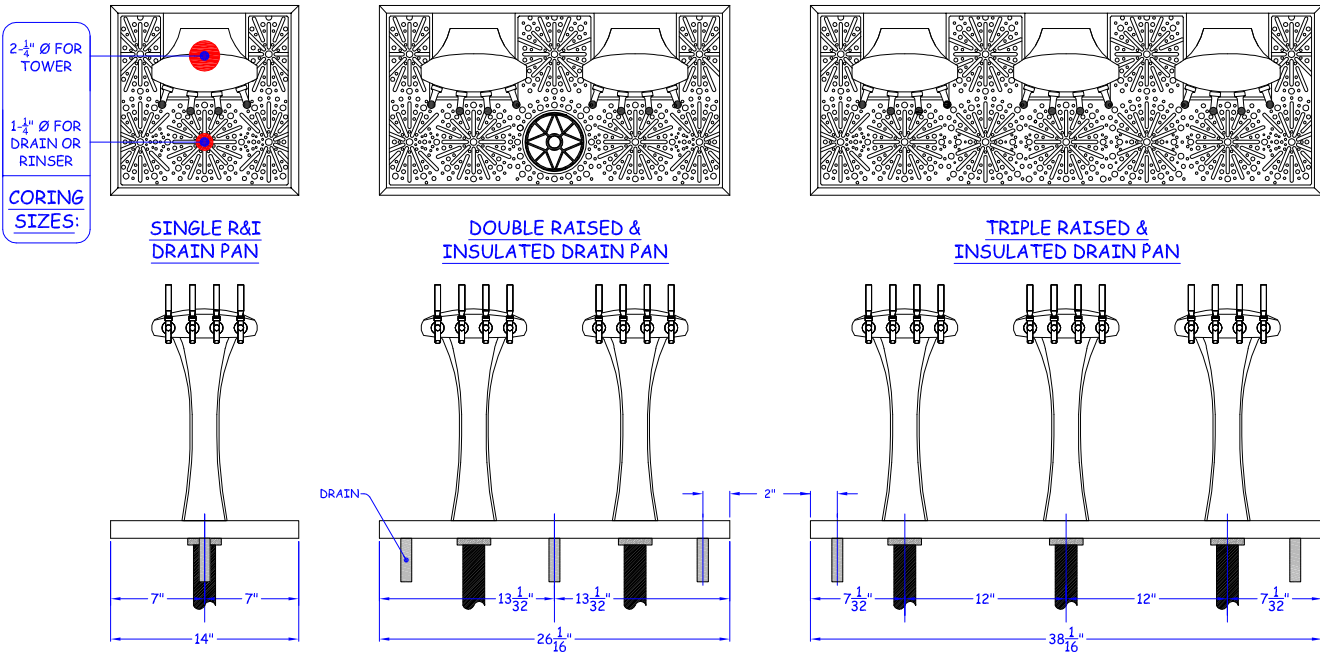
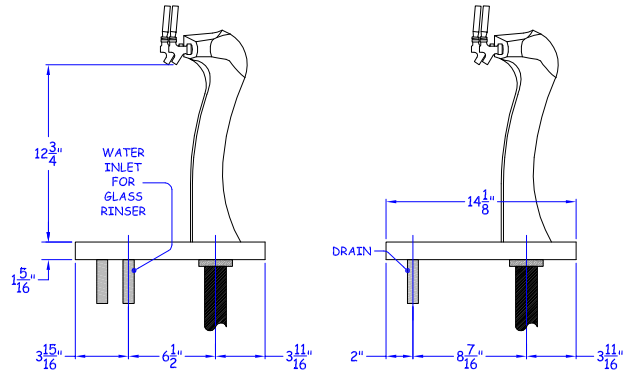
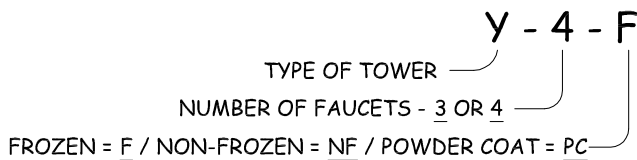
OPTIONS :

- GLASS RINSERS CAN BE SPECIFIED INTO ANY DRAIN PAN
- RAISED & INSULATED DRAIN PAN IS REQUIRED FOR FROZEN TOWERS NOT INCORPORATED INTO FROST RAILS
- HANGING DRAIN PAN IS USED ONLY IF A YETI TOWER IS MOUNTED INSIDE OUR SHOCK A VODKA DOME SYSTEM
- THT PANS ARE USED WITH FROST RAILS OR NON-FROZEN TOWERS

DISCLAIMERS :

- FROZEN TOWERS REQUIRE 60% RELATIVE HUMIDITY OR ABOVE FOR PROPER ICE FORMATION
- VENTS OR FANS ABOVE TOWERS WILL HINDER ICE FROM FORMING
- LED TEMPERATURE DISPLAY IS NOT AVAILABLE
- COLD BLOCKS CANNOT BE INTEGRATED WITH FROZEN YETI BEER TOWERS UNLESS A SEPARATE CHILLER IS PROVIDED INDEPENDENT OF LINE SET

TOWER NOMENCLATURE:



2371 GAUSE BLVD. WEST
SLIDELL, LA 70460
P.O. BOX 5566 - ZIP 70469



www.CHILLRITE32.com
800.256.2190 - TOLL FREE
985.641.0183 - FAX