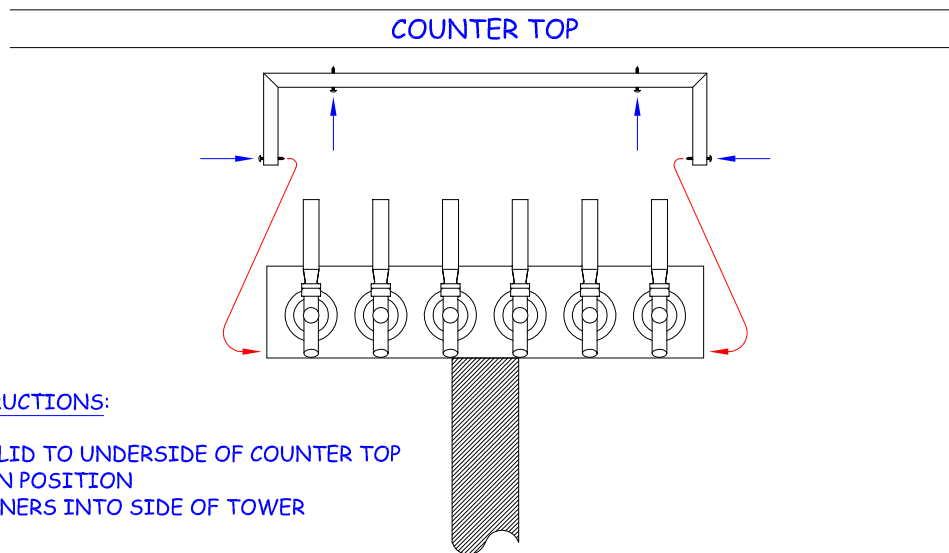
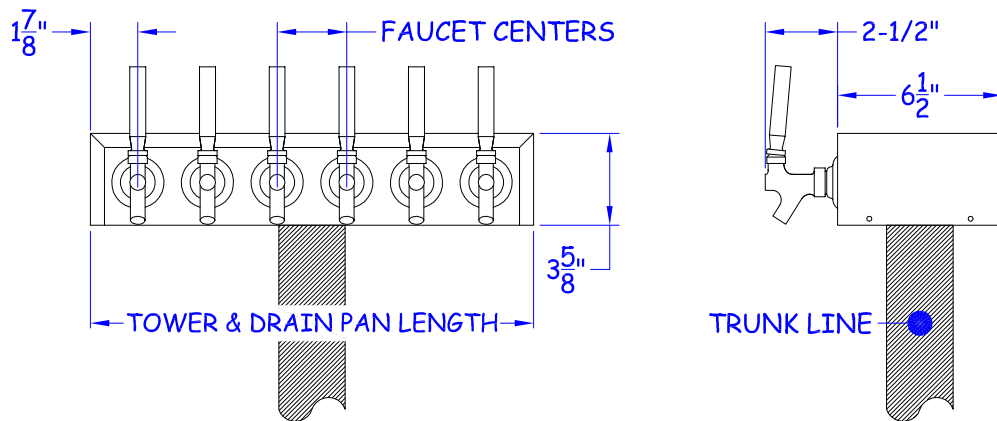


UNDER COUNTER TOWER SIZES & SPECIFICATIONS

PROJECT _____

ITEM # _____

NUMBER OF FAUCETS	2	3	4	5	6	7	8
TOWER LENGTH	9-1/4"		12"	14-3/4"	17-1/2"	20-1/4"	23"
FAUCET CENTERS	5-1/2"		2-3/4"				
<u>TOWER NOMENCLATURE:</u>			<u>ADDITIONAL OPTIONS:</u>				
<p style="text-align: center;">UC-6</p> <p>TYPE OF TOWER ———</p> <p>NUMBER OF FAUCETS ———</p>			FAUCET LOCKS				
			<i>DRAINBOARDS ARE TO BE PROVIDED BY OTHERS</i>				
			<i>STAINLESS STEEL IS THE ONLY FINISH AVAILABLE</i>				



MOUNTING INSTRUCTIONS:

- 1) MOUNT TOWER LID TO UNDERSIDE OF COUNTER TOP
- 2) SLIDE TOWER IN POSITION
- 3) INSTALL FASTENERS INTO SIDE OF TOWER

2371 GAUSE BLVD. WEST
SLIDELL, LA 70460
P.O. BOX 5566 - ZIP 70469



www.CHILLRITE32.com
800.256.2190 - TOLL FREE
985.641.0183 - FAX