

# THT TOWER & DRAIN PAN SIZES & SPECIFICATIONS

PROJECT \_\_\_\_\_

ITEM # \_\_\_\_\_

NUMBER OF FAUCETS	2	3	4	5	6	7	8
TOWER & DRAIN PAN LENGTH	9-1/4"		12"	14-3/4"	17-1/2"	20-1/4"	23"
FAUCET CENTERS	5-1/2"	2-3/4"					
HEIGHT OPTIONS	STANDARD	TOWER HEIGHT ~ 13-1/4"			FAUCET HEIGHT ~ 9-5/8"		
	OPTION A	TOWER HEIGHT ~ 15-7/8"			FAUCET HEIGHT ~ 12-1/4"		
	OPTION B	TOWER HEIGHT ~ 17"			FAUCET HEIGHT ~ 13-3/8"		
DRAIN PAN WIDTH	SPECIFY <u>5"</u> OR <u>7"</u>						

## TOWER NOMENCLATURE:

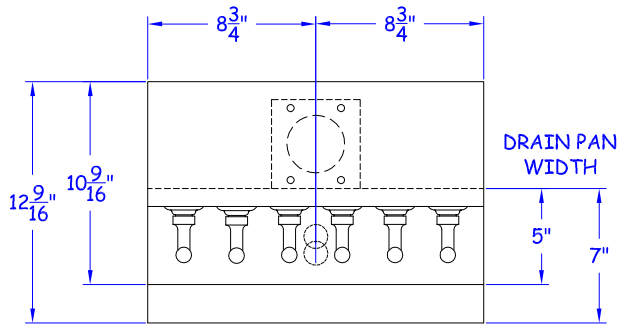
**THT-6-SS-S-5"-LED-A**



AVAILABLE IN SOFFIT MOUNT

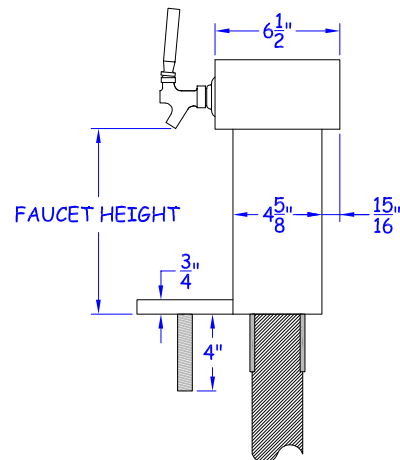
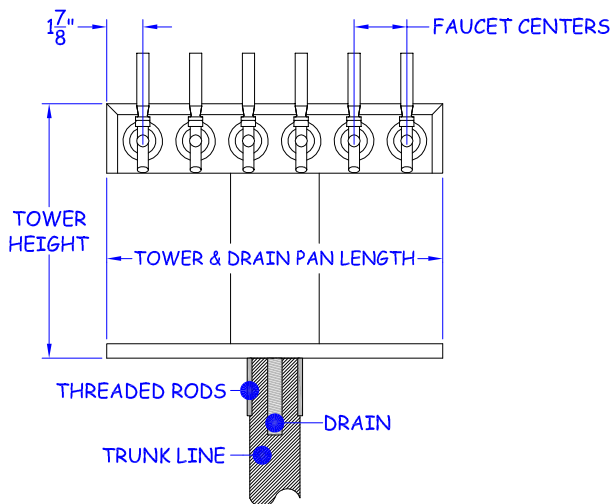
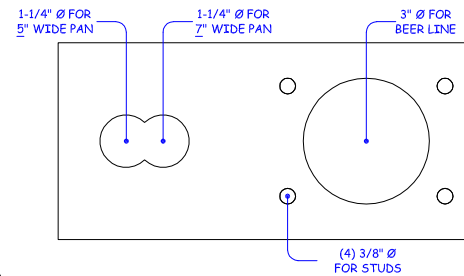
## ADDITIONAL OPTIONS:

LED TEMPERATURE DISPLAY  
GLASS RINSER  
FAUCET LOCKS



## METAL TEMPLATE :

INCLUDED WITH INSTALLATION KIT



2371 GAUSE BLVD. WEST  
SLIDELL, LA 70460  
P.O. BOX 5566 - ZIP 70469



www.CHILLRITE32.com  
800.256.2190 - TOLL FREE  
985.641.0183 - FAX