

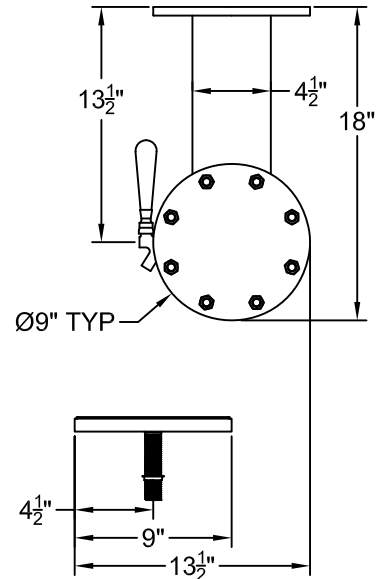
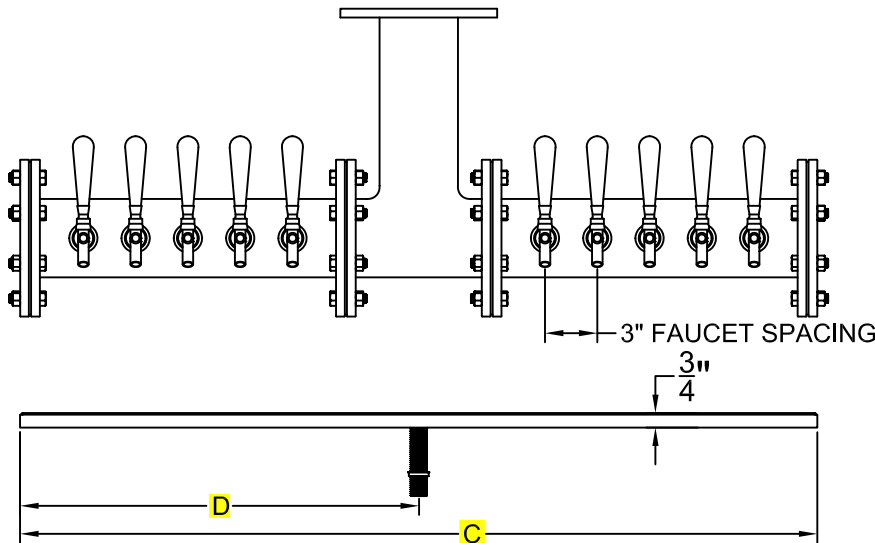
TOWER NOMENCLATURE:
ROUXGAROUX - 10F - F - SM - SS

STYLE OF TOWER }
 NUMBER OF FAUCETS }
 MOUNT TYPE }
 TOWER FINISH }

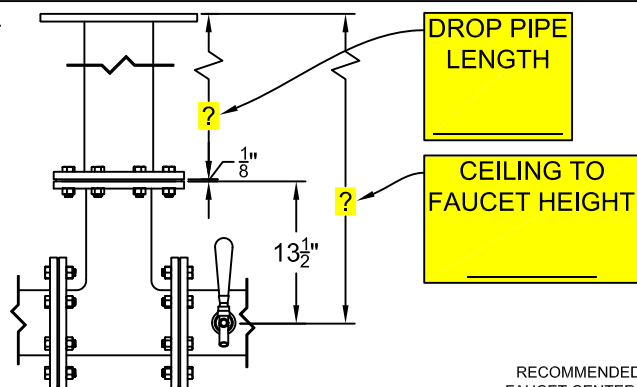
LEGEND: SS = #4 BRUSHED PC = POWDER COATED

INCLUDED HARDWARE: 1/2" - 13 x 5" BOLTS & NUTS
 TOWER MADE OF 304 SCHEDULE 10 STAINLESS STEEL

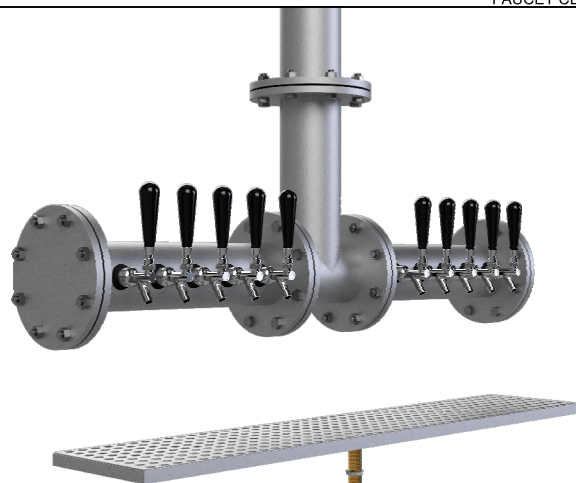
DISCLAIMERS:
 • CHILL RITE RESERVES THE RIGHT TO CHANGE MEASUREMENTS WITHOUT NOTICE.
 • THIS DRAWING IS THE SOLE PROPERTY OF CHILL RITE MANUFACTURING AND SHOULD NOT BE USED OR RECREATED WITHOUT WRITTEN CONSENT FROM CHILL RITE.
 • TAP HANDLES NOT INCLUDED.
 • COLORATION IS A DIGITAL REPRESENTATION AND DOES NOT REFLECT THE ACTUAL COLOR



DROP PIPE DETAIL



RECOMMENDED FINISHED FLOOR TO FAUCET CENTER HEIGHT OF 55"-59" AFF



• PLEASE CONTACT FACTORY FOR CUSTOM SMOOTH VERSION •

• PLEASE CHOOSE NUMBER OF FAUCETS BELOW •

▽	FAUCETS	A	B	C	D	WEIGHT
<input type="checkbox"/>	4	27.75	9	27	13.5	109
<input type="checkbox"/>	6	33.75	12	33	16.5	112
<input type="checkbox"/>	8	39.75	15	39	19.5	114
<input type="checkbox"/>	10	45.75	18	45	22.5	117
• TWO DRAINS REQUIRED ON ALL DRIP PANS OVER 45" WIDE •						
<input type="checkbox"/>	12	51.75	21	51	17	119
<input type="checkbox"/>	14	57.75	24	57	19	122
<input type="checkbox"/>	16	63.75	27	63	21	124
<input type="checkbox"/>	18	69.75	30	69	23	127

• PLEASE CHOOSE ONE TOWER FINISH •

#4 BRUSHED-SS POWDER COATED-PC RAL #

ALL MEASUREMENTS ARE IN INCHES AND WEIGHTS IN POUNDS UNLESS OTHERWISE NOTED

• IF GLASS RINSER IS REQUIRED PLEASE SEE BELOW •

CENTER or OFFSET

