

CHILL·RITE

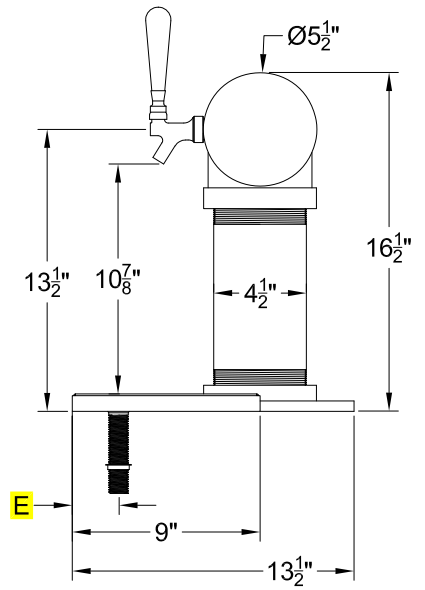
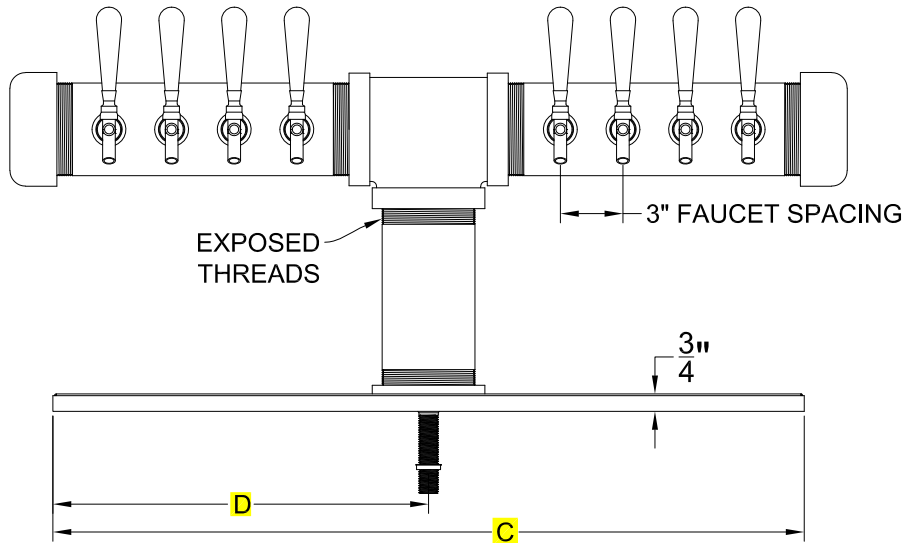
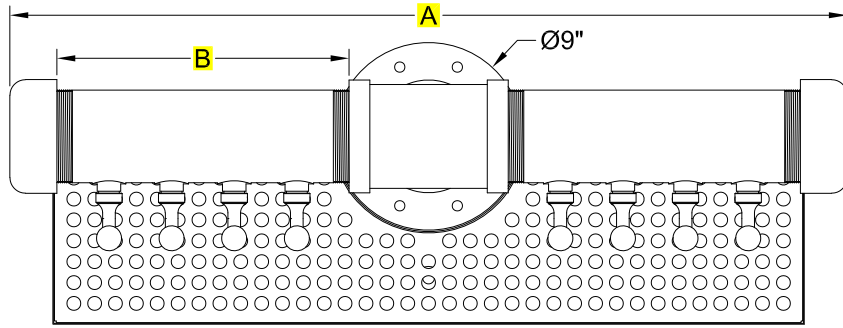


800.256.2190

VIELLE T COUNTER MOUNT TOWER

PROJECT NAME: _____ ITEM #: _____

APPROVED BY: _____ DATE: _____



TOWER NOMENCLATURE:

VIELLE T - 8F - CM - BI
 STYLE OF TOWER | NUMBER OF FAUCETS | MOUNT TYPE | TOWER FINISH
 LEGEND: BI = BLACK IRON

INCLUDED HARDWARE: 1/2" - 13 x 5" BOLTS & NUTS
 TOWER MADE OF RAW BLACK IRON

DISCLAIMERS:
 • CHILL RITE RESERVES THE RIGHT TO CHANGE MEASUREMENTS WITHOUT NOTICE.
 • THIS DRAWING IS THE SOLE PROPERTY OF CHILL RITE MANUFACTURING AND SHOULD NOT BE USED OR RECREATED WITHOUT WRITTEN CONSENT FROM CHILL RITE.
 • TAP HANDLES NOT INCLUDED.
 • COLORATION IS A DIGITAL REPRESENTATION AND DOES NOT REFLECT THE ACTUAL COLOR.

• TOWER WILL RUST AND TARNISH OVER TIME •

• PLEASE CHOOSE NUMBER OF FAUCETS BELOW •

FAUCETS	A	B	C	D	E
<input type="checkbox"/> 4	28.125	9	27	13.5	2.25
<input type="checkbox"/> 6	34.125	11	33	16.5	2.25
<input type="checkbox"/> 8	40.125	14	39	19.5	2.25
<input type="checkbox"/> 10	46.125	17	45	22.5	2.25

• TWO DRAINS REQUIRED ON ALL DRIP PANS OVER 45" WIDE •

<input type="checkbox"/> 12	52.125	20	51	17	4.5
<input type="checkbox"/> 14	58.125	23	57	19	4.5
<input type="checkbox"/> 16	64.125	26	63	21	4.5
<input type="checkbox"/> 18	70.125	29	69	23	4.5

ALL MEASUREMENTS ARE IN INCHES AND WEIGHTS IN POUNDS UNLESS OTHERWISE NOTED

• IF GLASS RINSER IS REQUIRED PLEASE CHOOSE BELOW •

