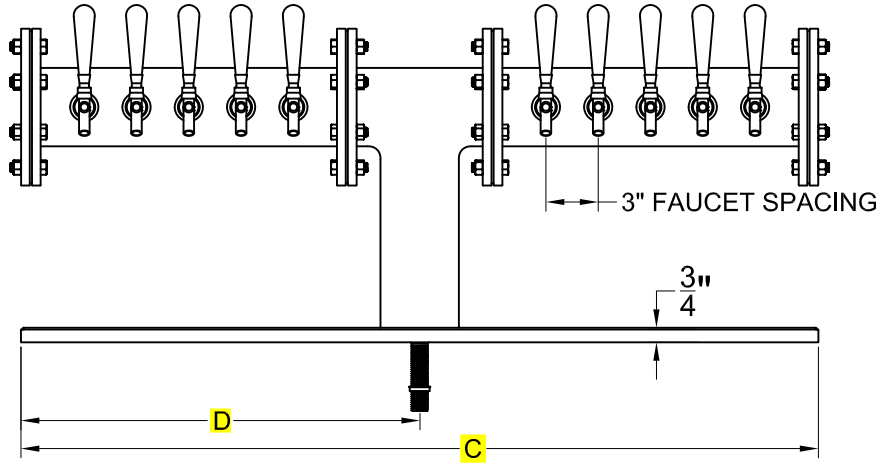
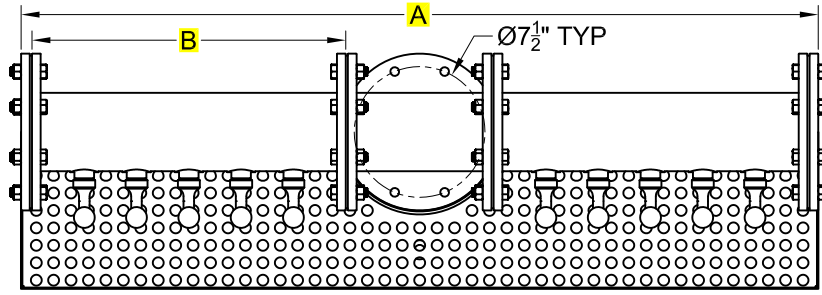


ROUXGAROUX
 COUNTER MOUNT TOWER

PROJECT NAME: _____ ITEM #: _____

APPROVED BY: _____ DATE: _____



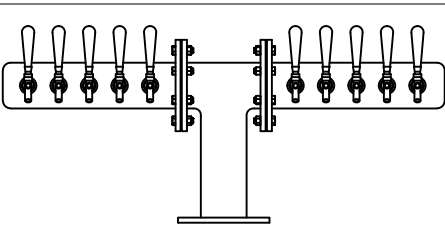
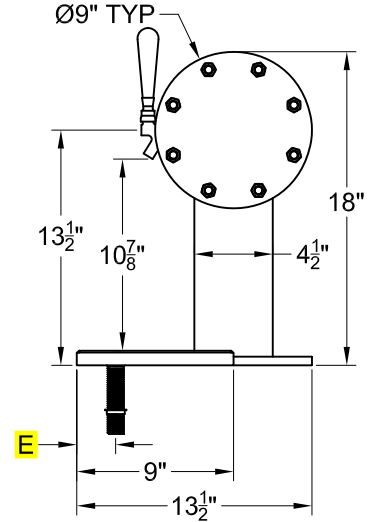
TOWER NOMENCLATURE:
ROUXGAROUX - 10F - F - CM - SS

STYLE OF TOWER
 NUMBER OF FAUCETS
 MOUNT TYPE
 TOWER FINISH

LEGEND: SS = #4 BRUSHED PC = POWDER COATED

INCLUDED HARDWARE: 3/8" - 13 x 5" BOLTS & NUTS
 TOWER MADE OF 304 SCHEDULE 10 STAINLESS STEEL

DISCLAIMERS:
 • CHILL RITE RESERVES THE RIGHT TO CHANGE MEASUREMENTS WITHOUT NOTICE.
 • THIS DRAWING IS THE SOLE PROPERTY OF CHILL RITE MANUFACTURING AND SHOULD NOT BE USED OR RECREATED WITHOUT WRITTEN CONSENT FROM CHILL RITE.
 • TAP HANDLES NOT INCLUDED.
 • COLORATION IS A DIGITAL REPRESENTATION AND DOES NOT REFLECT THE ACTUAL COLOR.



• PLEASE CONTACT FACTORY FOR CUSTOM SMOOTH VERSION •

• PLEASE CHOOSE NUMBER OF FAUCETS BELOW •

FAUCETS	A	B	C	D	E	WEIGHT
<input type="checkbox"/> 4	27.75	9	27.75	13.875	2.25	109
<input type="checkbox"/> 6	33.75	12	33.75	16.875	2.25	112
<input type="checkbox"/> 8	39.75	15	39.75	19.875	2.25	114
• TWO DRAINS REQUIRED ON ALL DRIP PANS OVER 45" WIDE •						
<input type="checkbox"/> 10	45.75	18	45.75	15.25	4.5	117
<input type="checkbox"/> 12	51.75	21	51.75	17.25	4.5	119
<input type="checkbox"/> 14	57.75	24	57.75	19.25	4.5	122
<input type="checkbox"/> 16	63.75	27	63.75	21.25	4.5	124
<input type="checkbox"/> 18	69.75	30	69.75	23.25	4.5	127

• PLEASE CHOOSE ONE TOWER FINISH •

#4 BRUSHED-SS POWDER COATED-PC RAL #

ALL MEASUREMENTS ARE IN INCHES AND WEIGHTS IN POUNDS UNLESS OTHERWISE NOTED

• IF GLASS RINSER IS REQUIRED PLEASE CHOOSE BELOW •

