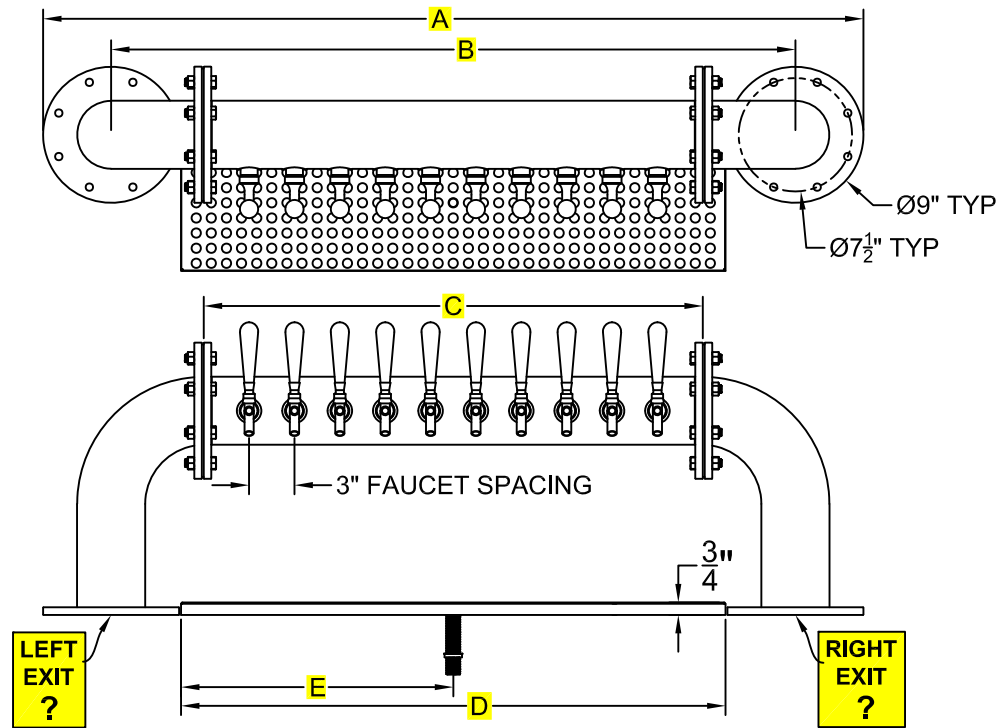


PIROGUE

COUNTER MOUNT TOWER

PROJECT NAME: _____ ITEM #: _____

APPROVED BY: _____ DATE: _____



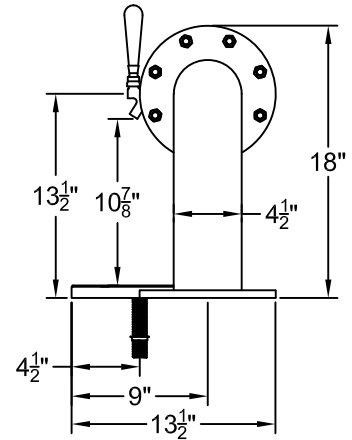
TOWER NOMENCLATURE:
PIROGUE - 10F - F - CM - SS

STYLE OF TOWER
 NUMBER OF FAUCETS
 MOUNT TYPE
 TOWER FINISH

LEGEND: SS = #4 BRUSHED PC = POWDER COATED

INCLUDED HARDWARE: 1/2" - 13 x 5" BOLTS & NUTS
 TOWER MADE OF 304 SCHEDULE 10 STAINLESS STEEL

DISCLAIMERS:
 • CHILL RITE RESERVES THE RIGHT TO CHANGE MEASUREMENTS WITHOUT NOTICE.
 • THIS DRAWING IS THE SOLE PROPERTY OF CHILL RITE MANUFACTURING AND SHOULD NOT BE USED OR RECREATED WITHOUT WRITTEN CONSENT FROM CHILL RITE.
 • TAP HANDLES NOT INCLUDED.
 • COLORATION IS A DIGITAL REPRESENTATION AND DOES NOT REFLECT THE ACTUAL COLOR.



• PLEASE CHOOSE NUMBER OF FAUCETS BELOW •

▽	FAUCETS	A	B	C	D	E	WEIGHT
<input type="checkbox"/>	4	36.25	27.25	15	18	9	78
<input type="checkbox"/>	5	39.25	30.25	18	18	9	82
<input type="checkbox"/>	6	42.25	33.25	21	18	9	85
<input type="checkbox"/>	7	45.25	36.25	24	27	12	88
<input type="checkbox"/>	8	48.25	39.25	27	27	12	92
<input type="checkbox"/>	9	51.25	42.25	30	27	12	95
<input type="checkbox"/>	10	54.25	45.25	33	36	18	98
<input type="checkbox"/>	11	57.25	48.25	36	36	18	102
<input type="checkbox"/>	12	60.25	51.25	39	36	18	105
<input type="checkbox"/>	13	63.25	54.25	42	45	22.5	108
<input type="checkbox"/>	14	66.25	57.25	45	45	22.5	112
<input type="checkbox"/>	15	69.25	60.25	48	45	22.5	115
• TWO DRAINS REQUIRED ON ALL DRIP PANS OVER 45" WIDE •							
<input type="checkbox"/>	16	72.25	63.25	51	54	18	118
<input type="checkbox"/>	17	75.25	66.25	54	54	18	122
<input type="checkbox"/>	18	78.25	69.25	57	54	18	125
• LINES EXIT BOTH SIDES OF TOWER IF OVER 18 FAUCETS •							
<input type="checkbox"/>	19	81.25	72.25	60	63	21	128
<input type="checkbox"/>	20	84.25	75.25	63	63	21	132
<input type="checkbox"/>	21	87.25	78.25	66	63	21	135
<input type="checkbox"/>	22	90.25	81.25	69	72	24	138
<input type="checkbox"/>	23	93.25	84.25	72	72	24	142
<input type="checkbox"/>	24	96.25	87.25	75	72	24	145
<input type="checkbox"/>	25	99.25	90.25	78	81	27	148
<input type="checkbox"/>	26	102.25	93.25	81	81	27	152

• PLEASE CHOOSE WHICH SIDE THE LINES EXIT 4-18 FAUCETS •

LEFT RIGHT

• PLEASE CHOOSE ONE TOWER FINISH •

#4 BRUSHED-SS POWDER COATED-PC RAL #

ALL MEASUREMENTS ARE IN INCHES AND WEIGHTS IN POUNDS UNLESS OTHERWISE NOTED

• IF GLASS RINSER IS REQUIRED PLEASE CHOOSE LOCATION •

CENTER or OFFSET

