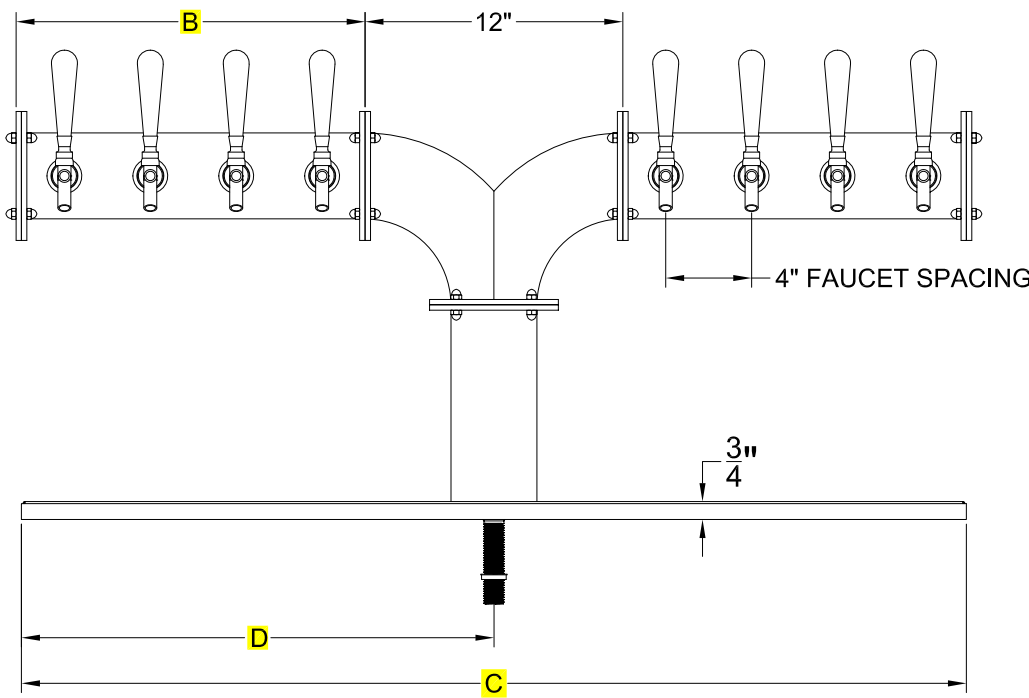
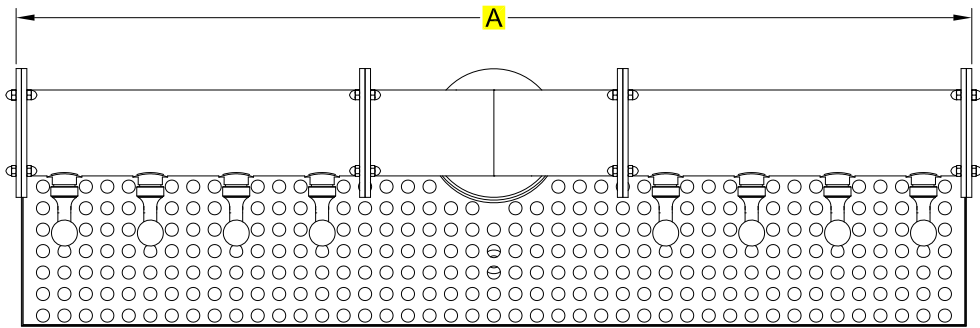


MARDI GRAS

COUNTER MOUNT TOWER

PROJECT NAME: _____ ITEM #: _____

APPROVED BY: _____ DATE: _____



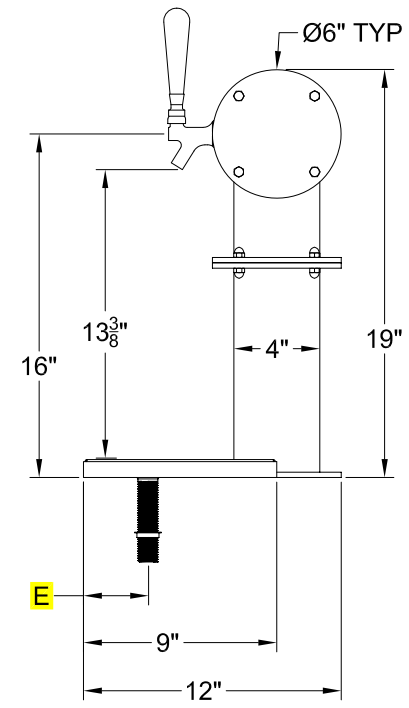
TOWER NOMENCLATURE:
MARDI GRAS - 8F - CM - SS

STYLE OF TOWER
 NUMBER OF FAUCETS
 MOUNT TYPE
 TOWER FINISH

LEGEND: SS = #4 BRUSHED PC = POWDER COATED
 MF = #8 MIRROR

TOWER MADE OF 304 STAINLESS STEEL OR COPPER

DISCLAIMERS:
 • CHILL RITE RESERVES THE RIGHT TO CHANGE MEASUREMENTS WITHOUT NOTICE.
 • THIS DRAWING IS THE SOLE PROPERTY OF CHILL RITE MANUFACTURING AND SHOULD NOT BE USED OR RECREATED WITHOUT WRITTEN CONSENT FROM CHILL RITE.
 • TAP HANDLES NOT INCLUDED.
 • COLORATION IS A DIGITAL REPRESENTATION AND DOES NOT REFLECT THE ACTUAL COLOR.



• PLEASE CHOOSE NUMBER OF FAUCETS BELOW •

▽	FAUCETS	A	B	C	D	E	WEIGHT
<input type="checkbox"/>	4	28.5	8	28	14	3	
<input type="checkbox"/>	6	36.5	12	36	18	3	
<input type="checkbox"/>	8	44.5	16	44	22	3	
• TWO DRAINS REQUIRED ON ALL DRIP PANS OVER 45" WIDE •							
<input type="checkbox"/>	10	52.5	20	52	17.33	4.5	
<input type="checkbox"/>	12	60.5	24	60	20	4.5	
<input type="checkbox"/>	14	68.5	28	68	22.67	4.5	
<input type="checkbox"/>	16	76.5	32	76	25.33	4.5	

• PLEASE CHOOSE ONE TOWER FINISH •

#4 BRUSHED-SS #8 MIRROR-MF
 POWDER COATED-PC RAL#

ALL MEASUREMENTS ARE IN INCHES AND WEIGHTS IN POUNDS UNLESS OTHERWISE NOTED

DRIP PAN FINISH WILL BE #4 BRUSHED

• IF GLASS RINSER IS REQUIRED PLEASE CHOOSE BELOW •

