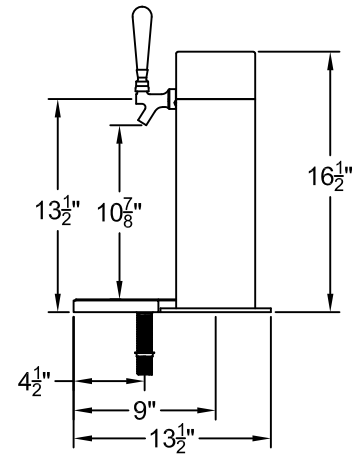
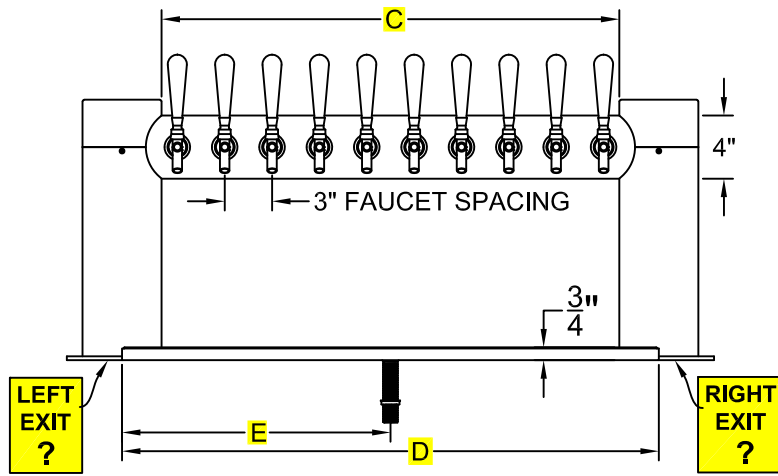
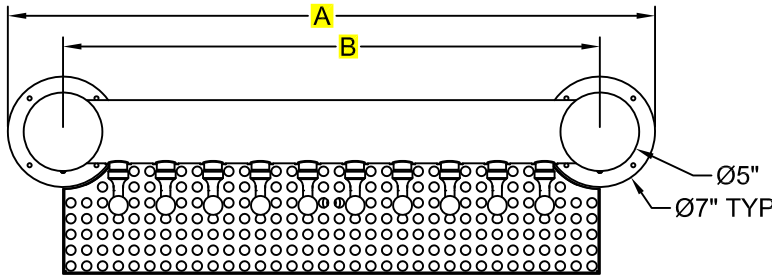


CAIMON H

COUNTER MOUNT TOWER

PROJECT NAME: _____ ITEM #: _____

APPROVED BY: _____ DATE: _____



TOWER NOMENCLATURE:

CAIMON H - 10F - CM - SS
 STYLE OF TOWER
 NUMBER OF FAUCETS
 MOUNT TYPE
 TOWER FINISH

LEGEND: SS = #4 BRUSHED PC = POWDER COATED
 MF = #8 MIRROR

TOWER MADE OF 304 STAINLESS STEEL

DISCLAIMERS:

- CHILL RITE RESERVES THE RIGHT TO CHANGE MEASUREMENTS WITHOUT NOTICE.
- THIS DRAWING IS THE SOLE PROPERTY OF CHILL RITE MANUFACTURING AND SHOULD NOT BE USED OR RECREATED WITHOUT WRITTEN CONSENT FROM CHILL RITE.
- TAP HANDLES NOT INCLUDED.
- COLORATION IS A DIGITAL REPRESENTATION AND DOES NOT REFLECT THE ACTUAL COLOR.

• PLEASE CHOOSE NUMBER OF FAUCETS BELOW •							
▽	FAUCETS	A	B	C	D	E	WEIGHT
<input type="checkbox"/>	8	35	28	23	28	14	34
<input type="checkbox"/>	9	38	31	26	31	15.5	36
<input type="checkbox"/>	10	41	34	29	34	17	38
<input type="checkbox"/>	11	44	37	32	37	18.5	40
<input type="checkbox"/>	12	47	40	35	40	20	42
<input type="checkbox"/>	13	50	43	38	43	21.5	44
• TWO DRAINS REQUIRED ON ALL DRIP PANS OVER 45" WIDE •							
<input type="checkbox"/>	14	53	46	41	46	15.33	47
<input type="checkbox"/>	15	56	49	44	49	16.33	49
<input type="checkbox"/>	16	59	52	47	52	17.33	51
<input type="checkbox"/>	17	62	55	50	55	18.33	53
<input type="checkbox"/>	18	65	58	53	58	19.33	55
• LINES EXIT BOTH SIDES OF TOWER IF OVER 18 FAUCETS •							
<input type="checkbox"/>	19	68	61	56	61	20.33	57
<input type="checkbox"/>	20	71	64	59	64	21.33	60
• PLEASE CHOOSE WHICH SIDE THE LINES EXIT 4-18 FAUCETS •							
<input type="checkbox"/> LEFT				<input type="checkbox"/> RIGHT			
• PLEASE CHOOSE ONE TOWER FINISH •							
<input type="checkbox"/> #4 BRUSHED-SS				<input type="checkbox"/> #8 MIRROR-MF			
<input type="checkbox"/> POWDER COATED-PC RAL #							
ALL MEASUREMENTS ARE IN INCHES AND WEIGHTS IN POUNDS UNLESS OTHERWISE NOTED							
DRIP PAN FINISH WILL BE #4 BRUSHED							
• IF GLASS RINSER IS REQUIRED PLEASE SEE BELOW •							

