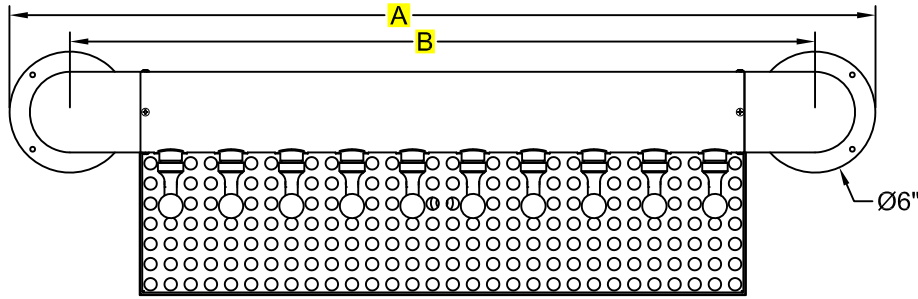


BEAU COUP

COUNTER MOUNT TOWER

PROJECT NAME: _____ ITEM #: _____

APPROVED BY: _____ DATE: _____



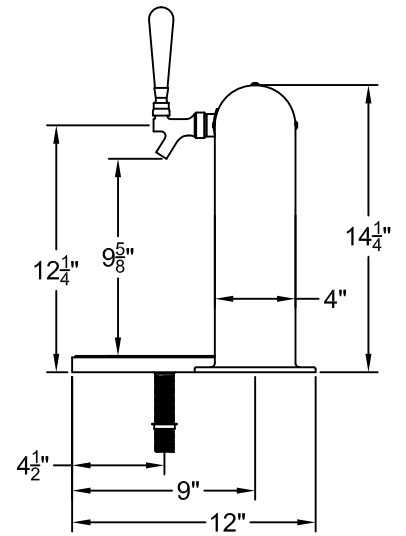
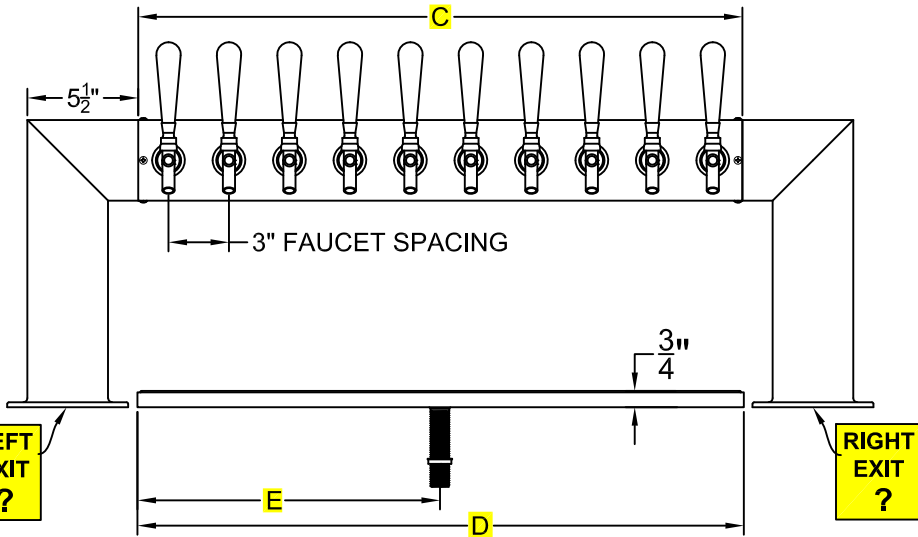
TOWER NOMENCLATURE:
BEAU COUP - 10F - CM - SS

STYLE OF TOWER
 NUMBER OF FAUCETS
 MOUNT TYPE
 TOWER FINISH

LEGEND: SS = #4 BRUSHED MF = #8 MIRROR
 PC = POWDER COATED

TOWER MADE OF 304 STAINLESS STEEL

DISCLAIMERS:
 • CHILL RITE RESERVES THE RIGHT TO CHANGE MEASUREMENTS WITHOUT NOTICE.
 • THIS DRAWING IS THE SOLE PROPERTY OF CHILL RITE MANUFACTURING AND SHOULD NOT BE USED OR RECREATED WITHOUT WRITTEN CONSENT FROM CHILL RITE.
 • TAP HANDLES NOT INCLUDED.
 • COLORATION IS A DIGITAL REPRESENTATION AND DOES NOT REFLECT THE ACTUAL COLOR.



LEFT EXIT ?

RIGHT EXIT ?

PLEASE CHOOSE NUMBER OF FAUCETS BELOW

FAUCETS	A	B	C	D	E
<input type="checkbox"/> 6	31	25	18	18	9
<input type="checkbox"/> 7	34	28	21	21	10.5
<input type="checkbox"/> 8	37	31	24	24	12
<input type="checkbox"/> 9	40	34	27	27	13.5
<input type="checkbox"/> 10	43	37	30	30	15
<input type="checkbox"/> 12	49	43	36	36	18

• LINES EXIT BOTH SIDES OF TOWER IF OVER 12 FAUCETS •

<input type="checkbox"/> 14	55	49	42	42	21
• TWO DRAINS REQUIRED ON ALL DRIP PANS OVER 45" WIDE •					
<input type="checkbox"/> 16	61	55	48	48	16
<input type="checkbox"/> 18	67	61	54	54	18
<input type="checkbox"/> 20	73	67	60	60	20
<input type="checkbox"/> 22	79	73	66	66	22
<input type="checkbox"/> 24	85	79	72	72	24

PLEASE CHOOSE WHICH SIDE THE LINES EXIT 4-18 FAUCETS

LEFT RIGHT

PLEASE CHOOSE ONE TOWER FINISH

#4 BRUSHED-SS #8 MIRROR-MF

POWDER COATED-PC RAL #

PLEASE CHOOSE ONE DRIP PAN FINISH

#4 BRUSHED-SS #8 MIRROR-MF

ALL MEASUREMENTS ARE IN INCHES AND WEIGHTS IN POUNDS UNLESS OTHERWISE NOTED

IF GLASS RINSER IS REQUIRED PLEASE CHOOSE LOCATION

CENTER or OFFSET

