

# BAYOU T

## COUNTER MOUNT TOWER

PROJECT NAME: \_\_\_\_\_ ITEM #: \_\_\_\_\_

APPROVED BY: \_\_\_\_\_ DATE: \_\_\_\_\_

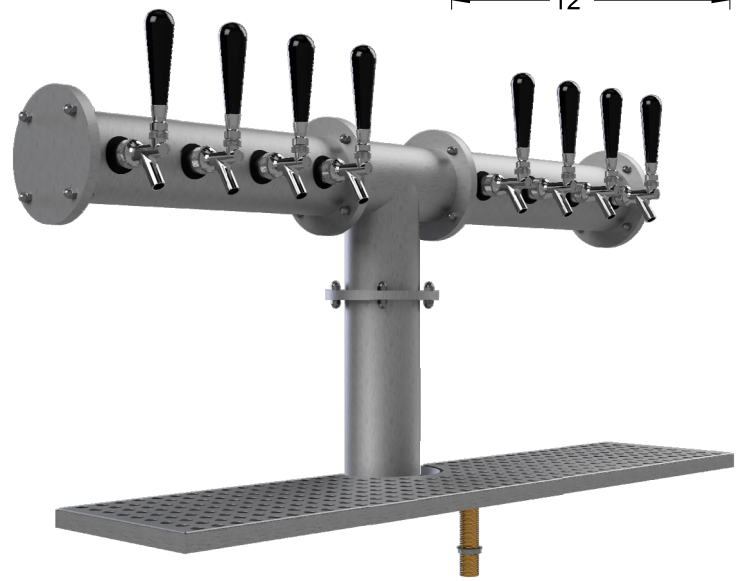
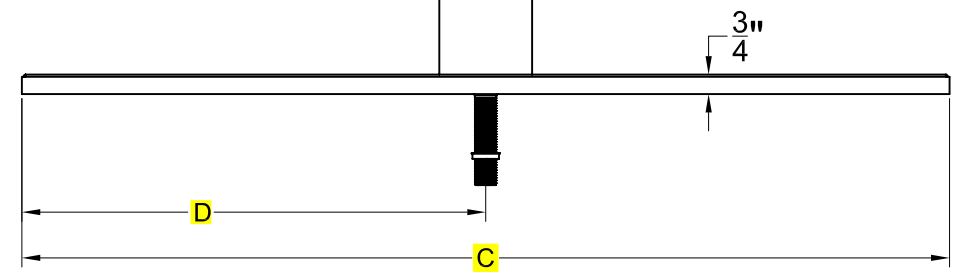
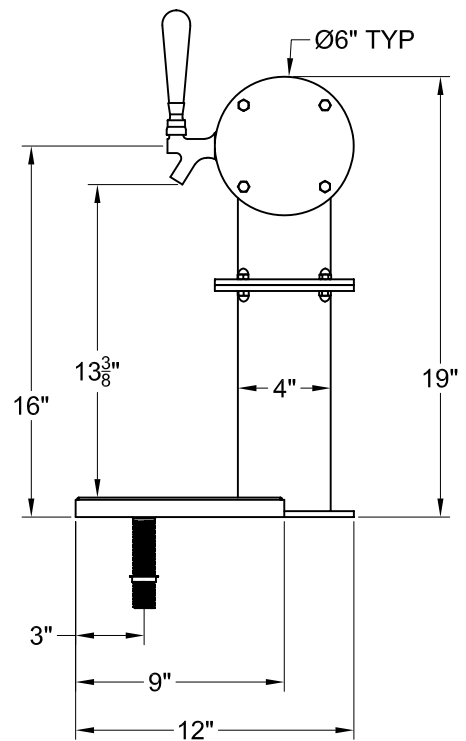
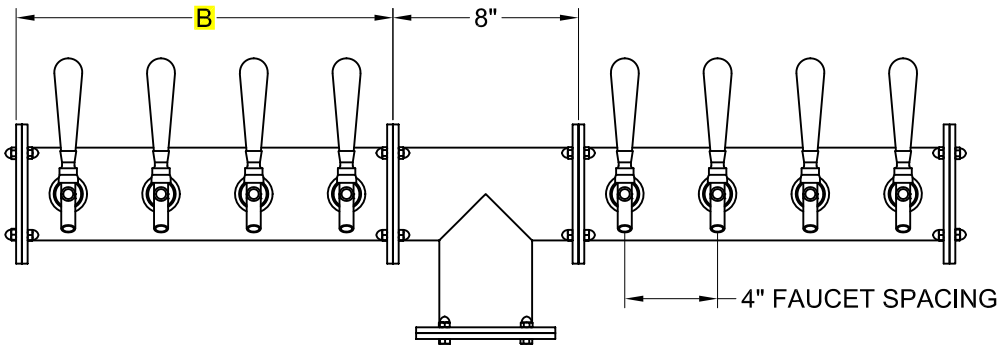
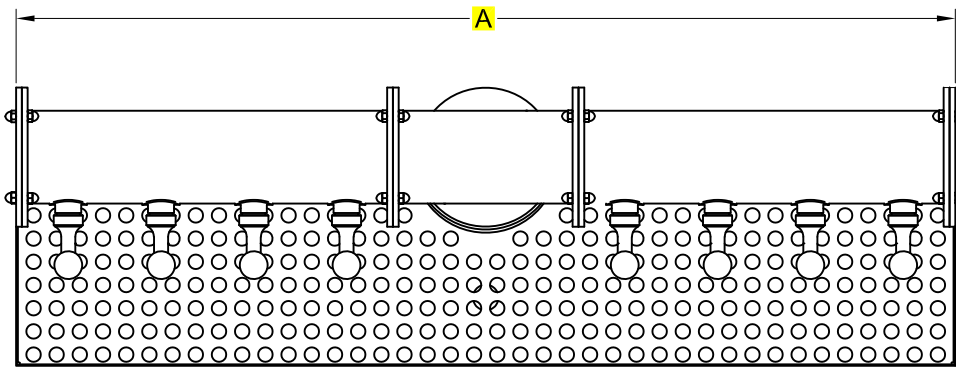
**TOWER NOMENCLATURE:**  
**BAYOU T - 8F - CM - SS**

STYLE OF TOWER  
 NUMBER OF FAUCETS  
 MOUNT TYPE  
 TOWER FINISH

LEGEND: SS = #4 BRUSHED PC = POWDER COATED  
 MF = #8 MIRROR BCu = #4 BRUSHED COPPER

TOWER MADE OF 304 STAINLESS STEEL OR COPPER

DISCLAIMERS:  
 • CHILL RITE RESERVES THE RIGHT TO CHANGE MEASUREMENTS WITHOUT NOTICE.  
 • THIS DRAWING IS THE SOLE PROPERTY OF CHILL RITE MANUFACTURING AND SHOULD NOT BE USED OR RECREATED WITHOUT WRITTEN CONSENT FROM CHILL RITE.  
 • TAP HANDLES NOT INCLUDED.  
 • COLORATION IS A DIGITAL REPRESENTATION AND DOES NOT REFLECT THE ACTUAL COLOR.  
 • COPPER TOWER WILL TARNISH OVER TIME



**• PLEASE CHOOSE NUMBER OF FAUCETS BELOW •**

FAUCETS	A	B	C	D	WEIGHT
<input type="checkbox"/> 4	24.5	8	24	12	33
<input type="checkbox"/> 6	32.5	12	32	16	38
<input type="checkbox"/> 8	40.5	16	40	20	44
<b>• TWO DRAINS REQUIRED ON ALL DRIP PANS OVER 45" WIDE •</b>					
<input type="checkbox"/> 10	48.5	20	48	16	49
<input type="checkbox"/> 12	56.5	24	56	18.67	54
<input type="checkbox"/> 14	64.5	28	64	21.33	59
<input type="checkbox"/> 16	72.5	32	72	24	65

**• PLEASE CHOOSE ONE TOWER FINISH •**

- #4 BRUSHED-SS       #8 MIRROR-MF  
 #4 Copper-BCu       POWDER COAT-PC RAL #

ALL MEASUREMENTS ARE IN INCHES AND WEIGHTS IN POUNDS UNLESS OTHERWISE NOTED

DRIP PAN FINISH WILL BE #4 BRUSHED

**• IF GLASS RINSER IS REQUIRED PLEASE CHOOSE BELOW •**

