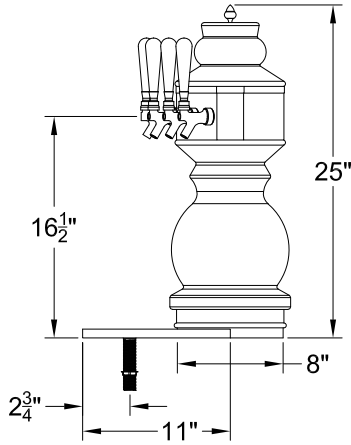
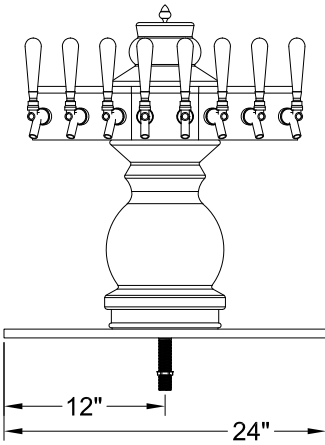
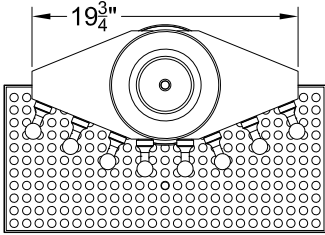
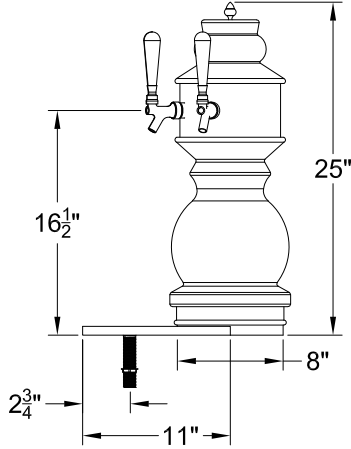
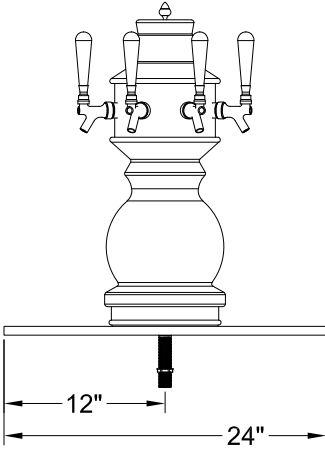
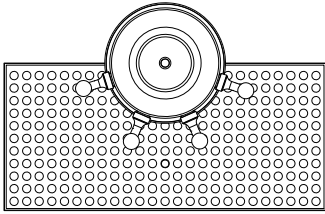


BRAUMEISTER
 CERAMIC TOWER

PROJECT NAME: _____ ITEM #: _____

APPROVED BY: _____ DATE: _____



TOWER NOMENCLATURE:
 BRAUMEISTER ELLIPSE - 8F - C
 BRAUMEISTER - 4F - C
 STYLE OF TOWER }
 NUMBER OF FAUCETS }
 TOWER FINISH }
 LEGEND: PVDB = PVD BRASS C = CHROME
 INCLUDED HARDWARE: 1/4"-20 x 4" THREADED RODS & NUTS
 TOWER MADE OF 304 STAINLESS STEEL

DISCLAIMERS:
 • CHILL RITE RESERVES THE RIGHT TO CHANGE MEASUREMENTS WITHOUT NOTICE.
 • THIS DRAWING IS THE SOLE PROPERTY OF CHILL RITE MANUFACTURING AND SHOULD NOT BE USED OR RECREATED WITHOUT WRITTEN CONSENT FROM CHILL RITE.
 • TAP HANDLES NOT INCLUDED.
 • COLORATION IS A DIGITAL REPRESENTATION AND DOES NOT REFLECT THE ACTUAL COLOR.

BRAUMEISTER 1F-4F

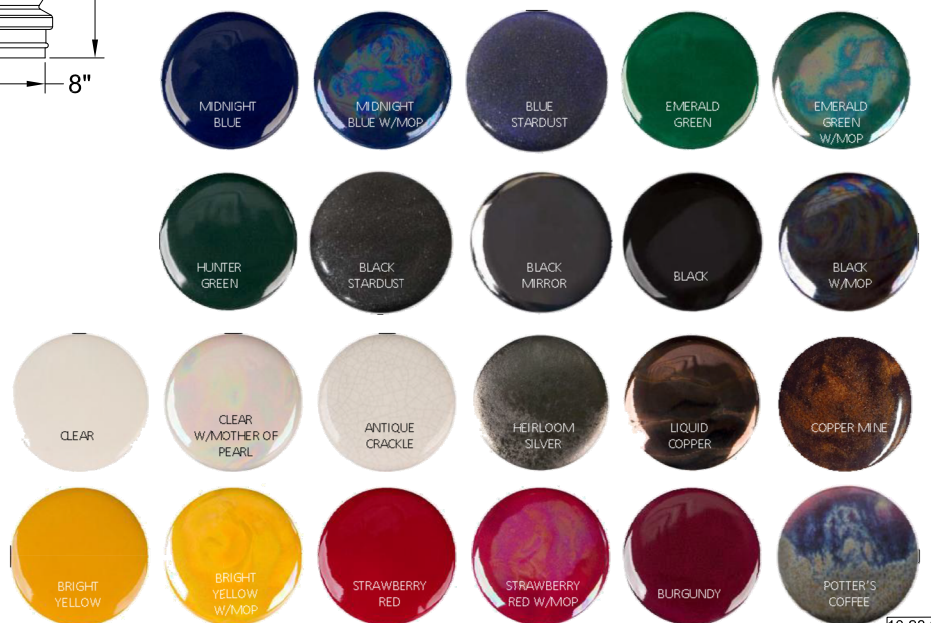


BRAUMEISTER ELLIPSE 5F-8F



• PLEASE CHOOSE NUMBER OF FAUCETS AND TOWER FINISH BELOW •

▽	FAUCETS	METAL FINISH	
	BRAUMEISTER	<input type="checkbox"/> CHROME-C	<input type="checkbox"/> PVD BRASS-PVDB
<input type="checkbox"/>	1	CERAMIC FINISH	
<input type="checkbox"/>	2	<input type="checkbox"/> MIDNIGHT BLUE	<input type="checkbox"/> CLEAR W/MOTHER OF PEARL
<input type="checkbox"/>	3	<input type="checkbox"/> MIDNIGHT BLUE W/MOP	<input type="checkbox"/> ANTIQUE CRACKLE
<input type="checkbox"/>	4	<input type="checkbox"/> BLUE STARDUST	<input type="checkbox"/> HEIRLOOM SILVER
	BRAUMEISTER ELLIPSE	<input type="checkbox"/> EMERALD GREEN	<input type="checkbox"/> LIQUID COPPER
<input type="checkbox"/>	5	<input type="checkbox"/> EMERALD GREEN W/MOP	<input type="checkbox"/> COPPER MINE
<input type="checkbox"/>	6	<input type="checkbox"/> HUNTER GREEN	<input type="checkbox"/> BRIGHT YELLOW
<input type="checkbox"/>	7	<input type="checkbox"/> BLACK STARDUST	<input type="checkbox"/> BRIGHT YELLOW W/MOP
<input type="checkbox"/>	8	<input type="checkbox"/> BLACK MIRROR	<input type="checkbox"/> STRAWBERRY RED
		<input type="checkbox"/> BLACK	<input type="checkbox"/> STRAWBERRY RED W/MOP
		<input type="checkbox"/> BLACK W/MOP	<input type="checkbox"/> BURGUNDY
		<input type="checkbox"/> CLEAR	<input type="checkbox"/> POTTER'S COFFEE



ALL MEASUREMENTS ARE IN INCHES AND WEIGHTS IN POUNDS UNLESS OTHERWISE NOTED