

BRIDGE TOWER & DRAIN PAN SIZES & SPECIFICATIONS

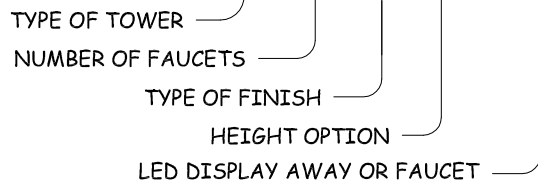
PROJECT _____

ITEM # _____

NUMBER OF FAUCETS	8	9	10	11	12
TOWER & DRAIN PAN LENGTH	33-1/4"				
A DIMENSION	2-3/16"	2-5/8"	3-1/8"	2-7/8"	1-3/4"
FAUCET CENTERS	4-1/8"	3-1/2"	3"	2-3/4"	
HEIGHT OPTIONS	STANDARD	TOWER HEIGHT ~ 13-1/4"		FAUCET HEIGHT ~ 9-5/8"	
	OPTION A	TOWER HEIGHT ~ 15-7/8"		FAUCET HEIGHT ~ 12-1/4"	
	OPTION B	TOWER HEIGHT ~ 17"		FAUCET HEIGHT ~ 13-3/8"	

TOWER NOMENCLATURE:

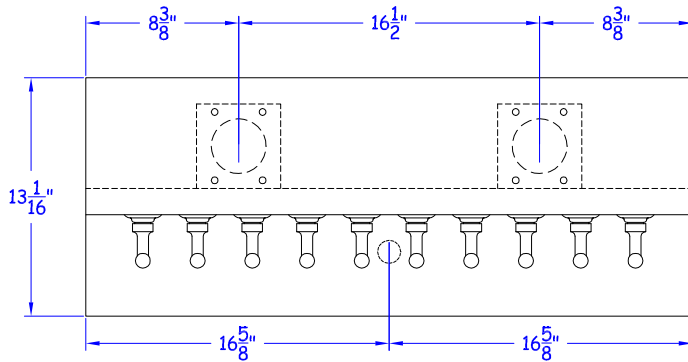
BT-10-SS-S-LED-A



AVAILABLE IN SOFFIT MOUNT

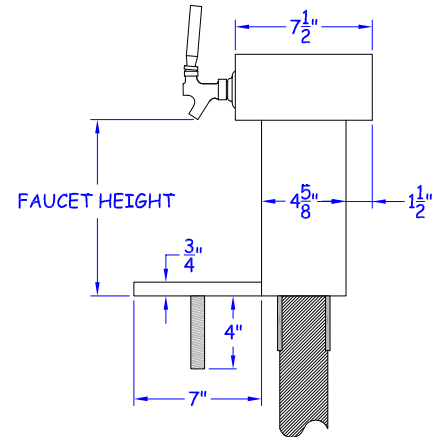
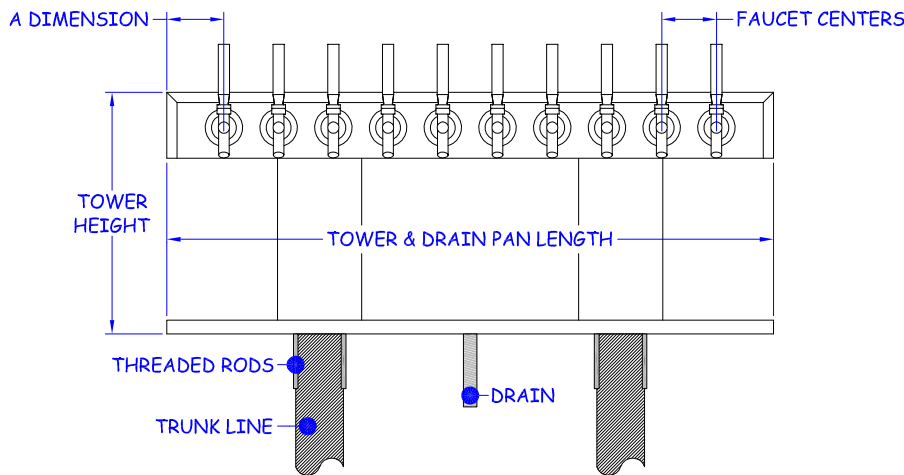
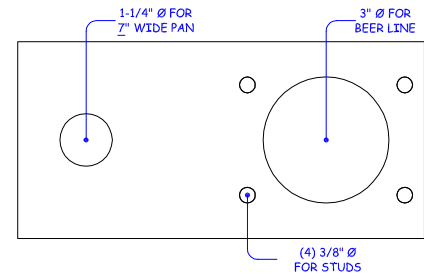
ADDITIONAL OPTIONS:

- LED TEMPERATURE DISPLAY
- GLASS RINSER
- FAUCET LOCKS



METAL TEMPLATE :

INCLUDED WITH INSTALLATION KIT



2371 GAUSE BLVD. WEST
 SLIDELL, LA 70460
 P.O. BOX 5566 - ZIP 70469



www.CHILLRITE32.com
 800.256.2190 - TOLL FREE
 985.641.0183 - FAX